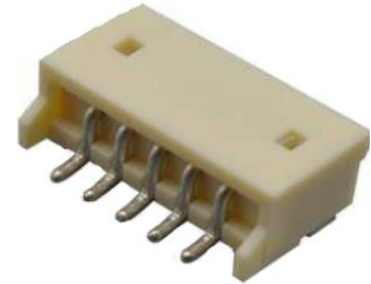


# Wire to Board, Header

## SWTB-C1501RS-XX

### Description

The SWTB-C1510RS-XX is a Dip style connector with a 1.5 mm pitch and is available up to 16 poles .



### Features

#### Mechanical Properties

#### Description

<b>Connector Type</b>	DIP, single row
<b>Orientation</b>	Horizontal
<b>Insulator body:</b>	Nylon 9T, UL94V-0
<b>Contact:</b>	Brass, Tin plated over Nickel
<b>Pitch</b>	1.5 mm
<b>Poles</b>	2-16 Poles
<b>Operating Temperature Range</b>	-40°C~+105°C
<b>Dimensions</b>	See table

#### Electrical Properties

#### Description

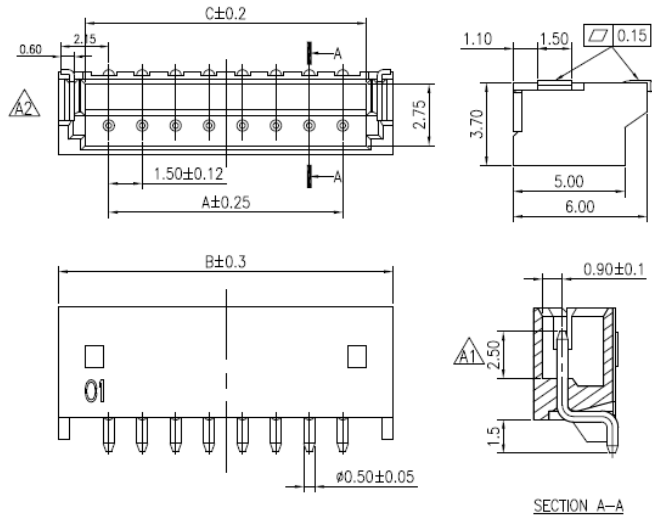
<b>Rated Current</b>	1A AC / DC
<b>Rated Voltage</b>	100V AC / DC
<b>Contact Resistance</b>	20 mΩ Max.
<b>Insulation Resistance</b>	500 MΩ Min.
<b>Withstanding Voltage</b>	500V AC / 1Min.

# Wire to Board, Header

## SWTB-C1501RS-XX

### Dimensions

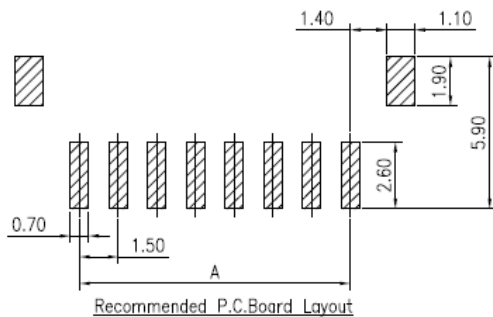
\*unit: mm, N= number of poles



Number of Poles:	Dimensions		
	A	B	C
02	1,50	6,00	3,60
03	3,00	7,50	5,10
04	4,50	9,00	6,60
05	6,00	10,50	8,10
06	7,50	12,00	9,60
07	9,00	13,50	11,10
08	10,50	15,00	12,60
09	12,00	16,50	14,10
10	13,50	18,00	15,60
11	15,00	19,50	17,10
12	16,50	21,00	18,60
13	18,00	22,50	20,10
14	19,50	24,00	21,60
15	21,00	25,50	23,10
16	22,50	27,00	24,60

### PCB Footprint

\*unit: mm , N = number of poles



# Wire to Board, Header

SWTB-C1501RS-XX



### Part number

**SWTB-C1501RS -XX**

<b>SWTB-C1501RS</b>	Style of connector
<b>XX</b>	Poles
	2,3,4,5,6,7,8, 9,10, 11,12,13,14,15,16

### Ordering information

Ordering can be done via [www.summit-electronics.com](http://www.summit-electronics.com) or via [info@summit-electronics.com](mailto:info@summit-electronics.com). Please contact us for more information. Customisation of the product is available on request.

### Technical support

For all product questions please contact us via [info@summit-electronics.com](mailto:info@summit-electronics.com)

### Document revision

Rev	Date	changes
<b>V01.00</b>	26-06-2023	First issue of document, EK